



TOPSERIES®

THE CRAFT COLLECTION



AMORIM

*“Top Series is an exclusive range of capsulated cork stoppers that feature distinctive closure solutions for the world’s most celebrated spirit brands.”*



PRESTIGE

ELEGANCE



PREMIUM

CLASSIC VALUE

Top Series is available in four market segments: Prestige, Elegance, Premium and Classic Value. Throughout the range, Top Series combines inspirational design with the superior technical and environmental performance of natural cork.



Now available in the United States the **Craft Collection**, based on our Classic Valure segment, was specially developed for the thrilling Craft market. Designed to fit the major standard glass bottles used by the industry we are able to provide the Spirits producers unique and premium closures in a very short lead time.

Providing a wide variety of stopper solutions, the Amorim Top Series NPD and Design Team can also work with its clients on customized technical consultancy to develop your personalized closure. With Top Series, we have produced the most prestigious natural closure for the world's most distinguished spirits.



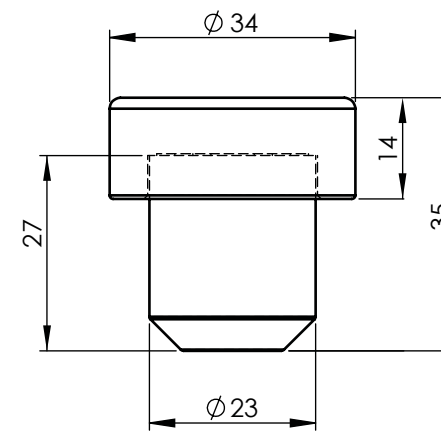


# SAVANNAH BROWN

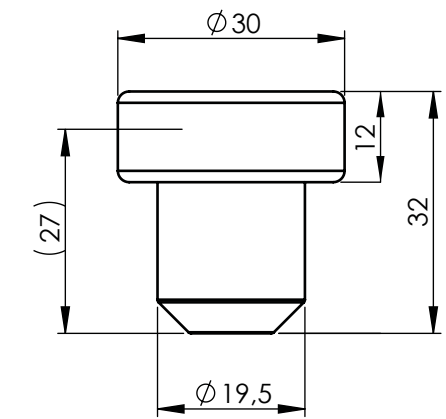
Wood Top

THE CRAFT COLLECTION

Natural Cork Shank

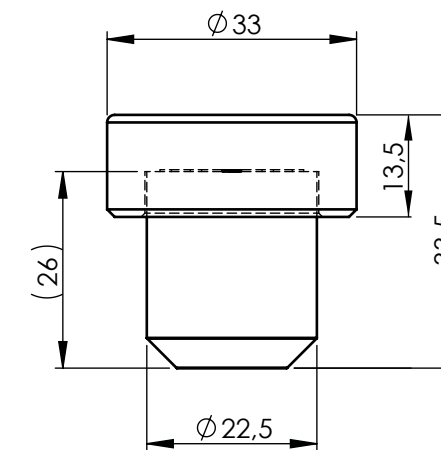


G4061027701450074



G4061024801451139

Neutrocork® Shank



G40650571004K0684

ITEM	G4061027701450074	G4061024801451139	G40650571004K0684
CORK SHANK	Natural Cork	Natural Cork	Neutrocork®
SHANK SIZE	27 x 23 mm	27 x 19.5 mm	26 x 22.5 mm
TOP	Brown Wood	Brown Wood	Brown Wood
TOP SIZE	34 x 14 mm	30 x 12 mm	33 x 13.5 mm

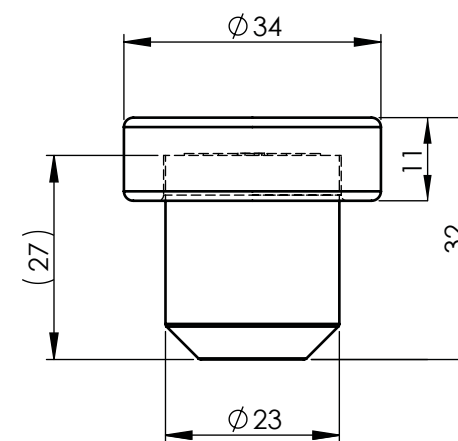
\*images are not binding to color or size.

# MIDNIGHT BLACK

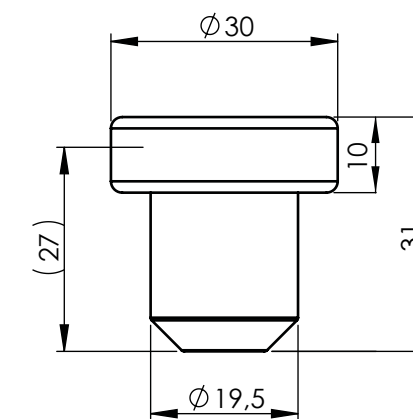
Wood Top

THE CRAFT COLLECTION

Natural Cork Shank

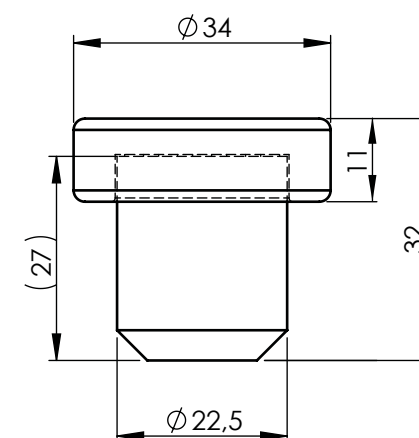


G4061027701451149



G4061024801450575

Neutrocork® Shank



G40651430004K1151

ITEM	G4061027701451149	G4061024801450575	G40651430004K1151
CORK SHANK	Natural Cork	Natural Cork	Neutrocork®
SHANK SIZE	27 x 23 mm	27 x 19.5 mm	27 x 22.5 mm
TOP	Black Wood	Black Wood	Black Wood
TOP SIZE	34 x 11 mm	30 x 10 mm	34 x 11 mm

\*images are not binding to color or size.



# BLACK ANTIQUED

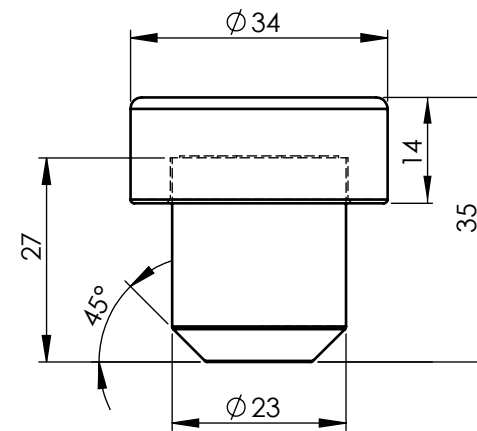
Wood Top

THE CRAFT COLLECTION

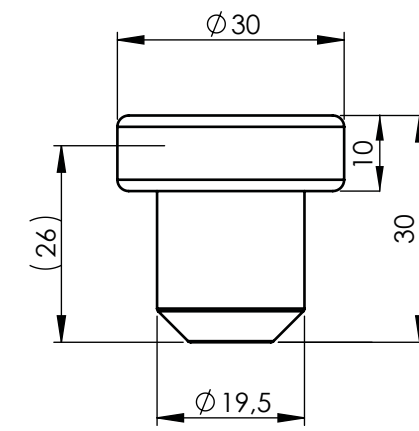
Natural Cork Shank



\*images are not binding to color or size.



G4061027701450073



G4061024801451150

ITEM	G4061027701450073	G4061024801451150
CORK SHANK	Natural Cork	Natural Cork
SHANK SIZE	27 x 23 mm	26 x 19.5 mm
TOP	Black Aged Wood	Black Aged Wood
TOP SIZE	34 x 14 mm	30 x 10 mm

# CALIFORNIA BLONDE

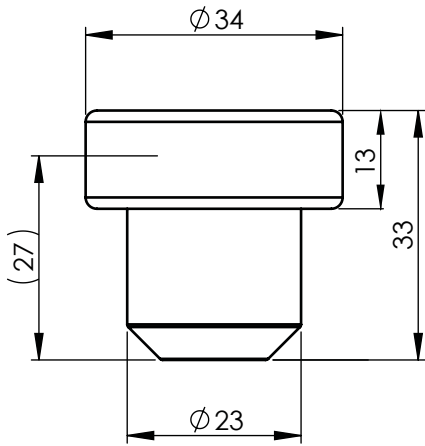
Wood Top

THE CRAFT COLLECTION

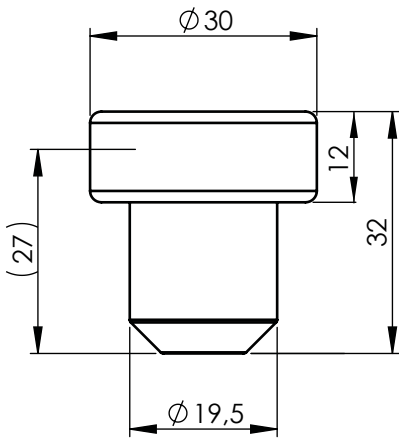
Natural Cork Shank



\*images are not binding to color or size.



G4061027701451138



G4061024801450859

ITEM	G4061027701451138	G4061024801450859
CORK SHANK	Natural Cork	Natural Cork
SHANK SIZE	27 x 23 mm	27 x 19.5 mm
TOP	Natural Wood	Natural Wood
TOP SIZE	34 x 13 mm	30 x 12 mm

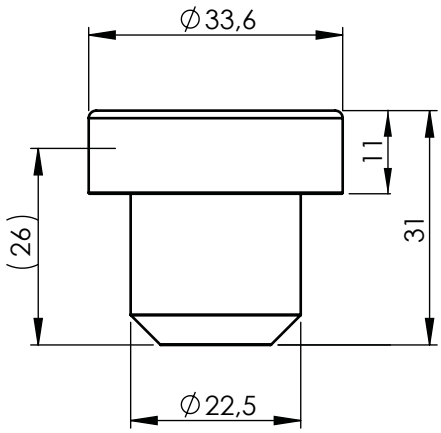


# COSMOPOLITAN

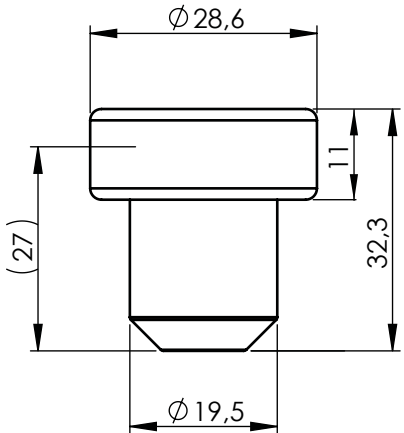
Black Plastic Top

THE CRAFT COLLECTION

Natural Cork Shank



G4065057100451057



SPECIAL ORDER

ITEM	G4065057100451057	SPECIAL ORDER
CORK SHANK	Neutrocork®	Neutrocork®
SHANK SIZE	26 x 22.5 mm	27 x 19.5 mm
TOP	Black Plastic	Black Plastic
TOP SIZE	33.6 x 11 mm	28.6 x 11 mm

## RECOMMENDATIONS TO USERS

Amorim Top Series advises users to:

### Selection and Storage of Stoppers

- Amorim Top Series should previously received bottles in order to calculate the required stopper from the analysis of the configuration of the neck of your bottle;
- Amorim Top Series stoppers should be used on short term (up to 6 months);
- Store in a well-ventilated room with controlled temperature between 15°C and 20°C and 50% to 70% humidity.

### Inserting the stopper

- Ensure insertion of the stopper is performed smoothly.
- Minimize moisture on the inside of the bottle neck.
- The ideal bottling conditions are: temperature between 15° and 20°C and humidity between 50-70%. Bottling under different conditions may require non standard products, to be specified by Amorim Top Series;
- Avoid thermal shocks between the drink and the bottle.

### Storage and Transport

- After bottling, always keep bottle upright;
- Ideal bottle storage conditions are 15°-25°C at 50-70% humidity;
- Keep the facilities free of insects;
- Bottles should be kept in an upright position while stored and during transport.

### Maintaining Equipment

- Ensure the corking machine operates smoothly;
- Clean all cork-handling surfaces regularly with chlorine-free products;
- Ensure all dust is eliminated using air sprays in strategic positions, particularly prior to stopper insertion. Frequent cleaning of the corking device is very important.

Top Series stoppers are conceived for drinks with alcohol content between 15% and 45% vol. Different alcohol content may require a non standard cork and should be duly analyzed by Amorim Top Series.

Amorim Top Series should be informed specifically about what type of drink will be bottled with Top Series corks.

**IMPORTANT:** for white spirits, only non-standard Top Series corks are recommended. In such cases, Amorim Top Series should be informed, previously, in order to propose the most appropriate solution.



TOPSERIES® by AMORIM



TOPSERIES®

LUXURY BY NATURE

[www.topseriesamorim.com](http://www.topseriesamorim.com)

[www.amorimca.com](http://www.amorimca.com)



AMORIM